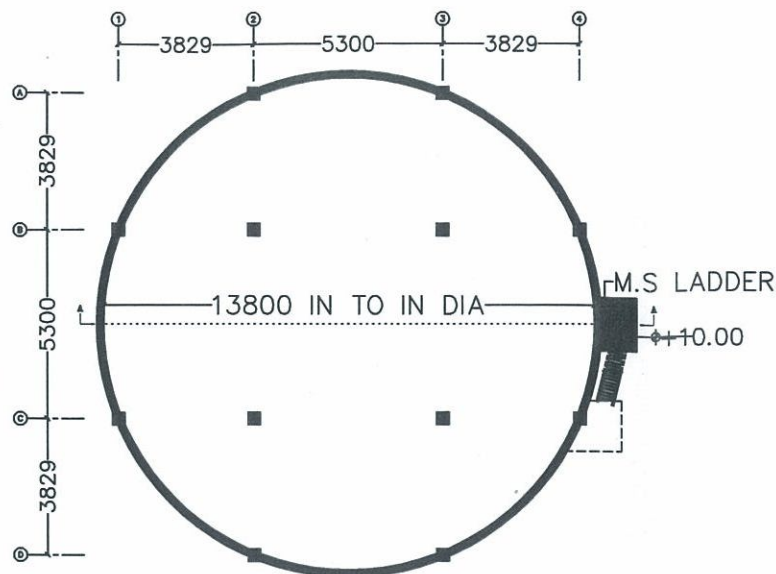
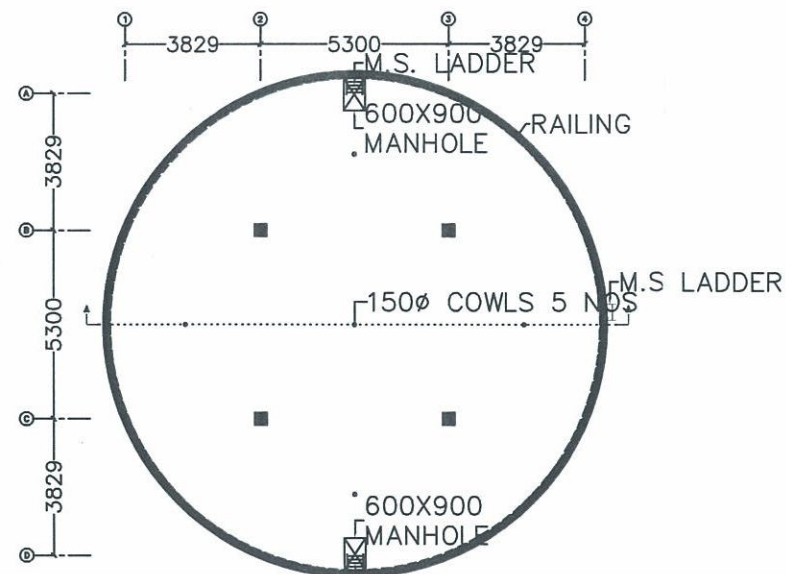


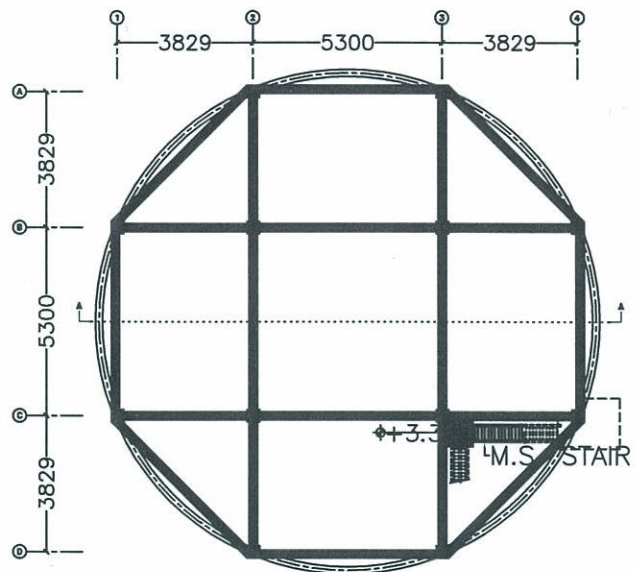
TIE LEVEL PLAN (+6.60 mt LVL)



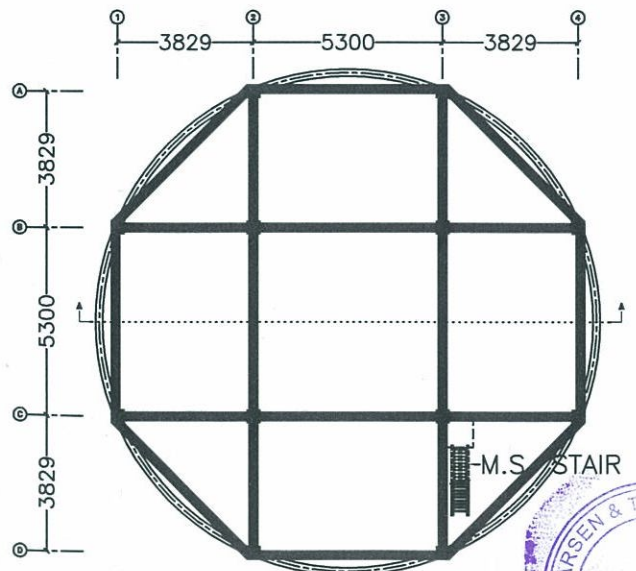
WATER TANK BOTTOM SLAB LEVEL PLAN (+10.00 MT LVL)



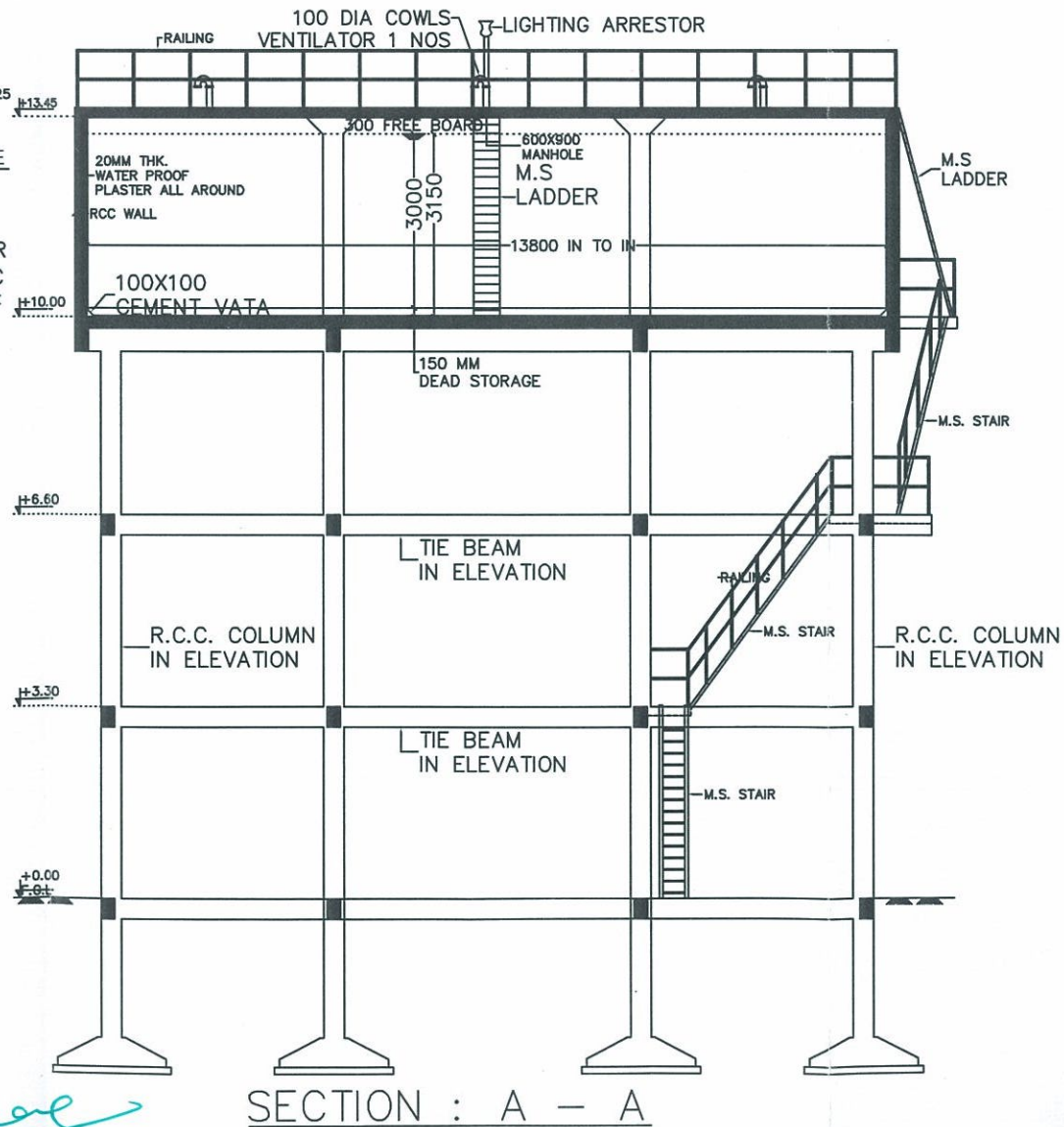
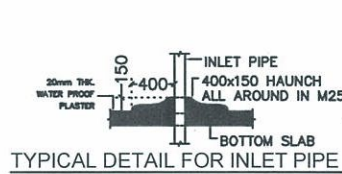
WATER TANK TOP PLAN LEVEL



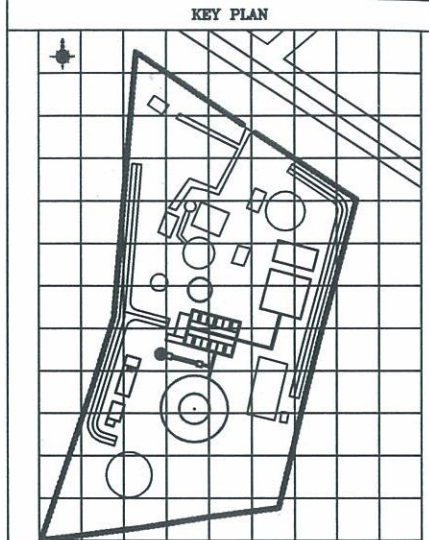
TIE LEVEL PLAN (+3.30 mt LVL)



GROUND FLOOR PLAN (+0.00 mt LVL)



SECTION : A - A



NOTE :
 <> ALL DIMENSION ARE IN MM AND LEVELS ARE IN METER.
 <> LOCATION & LEVELS OF INLET OUTLET CUM WINDOUT & OVERFLOW PIPE SHALL BE SHIPPED WITH ENGINEER INCHARGE BEFORE EXECUTION



"Drawings Vetted"



Asst. Executive Eng. Executive Engineer
 TDWSP Asifabad TDWSP Asifabad

REV. No	DESCRIPTION	DATE	DESIGNED	DRAWN	CHECKED	APPROVED
A	FOR APPROVAL	11/02/16	HMP	HSP	RAM	-

REVISIONS

L&T Construction
 Water, Smart World & Communication.

CLIENT : GOVERNMENT OF TELANGANA
 RURAL WATER SUPPLY AND SANITATION DEPARTMENT

PROJECT : PROVIDING DRINKING WATER TO HABITATIONS IN KOMARAMBHEEM
 ASIFABAD SEGMENT IN ADILABAD DISTRICT (30 MLD WTP)

SUPPLIER / CONTRACTOR : L&T Construction
 Water & Effluent Treatment S&G

JOB No : LE150883 TITLE : CIVIL S.A. DRG FOR BACK WASH TANK (PLAN & SECTIONAL)

SCALE : 1:100

PROJECTION : 1st Angle

DRAWING No. LE150883-C-WS-WT-01-1010
 SHEET 1 OF 1

RELEASED FOR : PRELIMINARY TENDER INFORMATION APPROVAL CONSTRUCTION